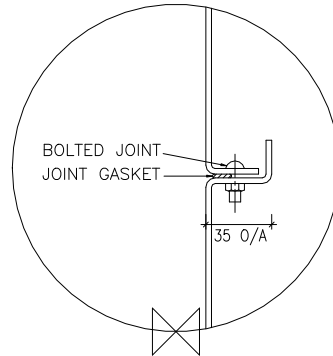
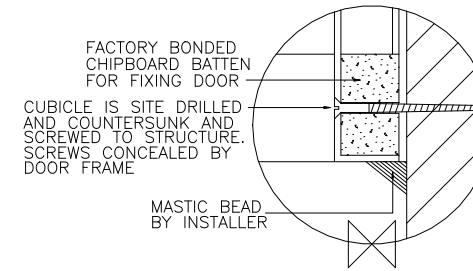


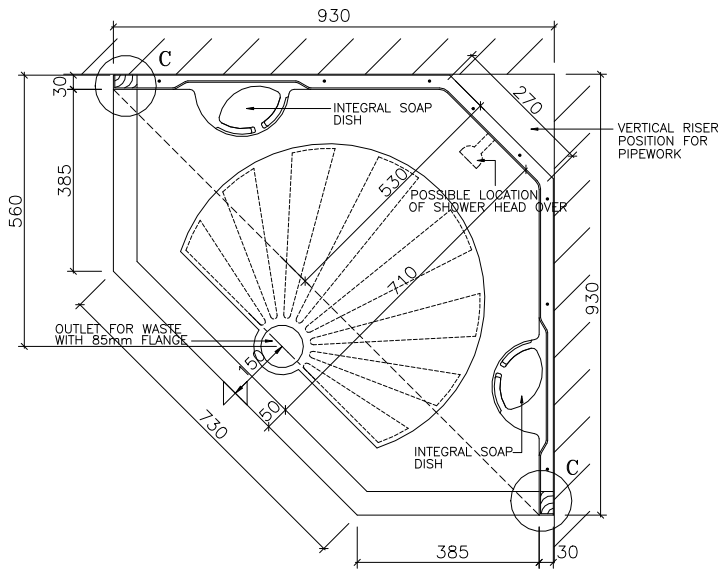
DETAIL A
SECTION THROUGH THRESHOLD & ACCESS PANEL



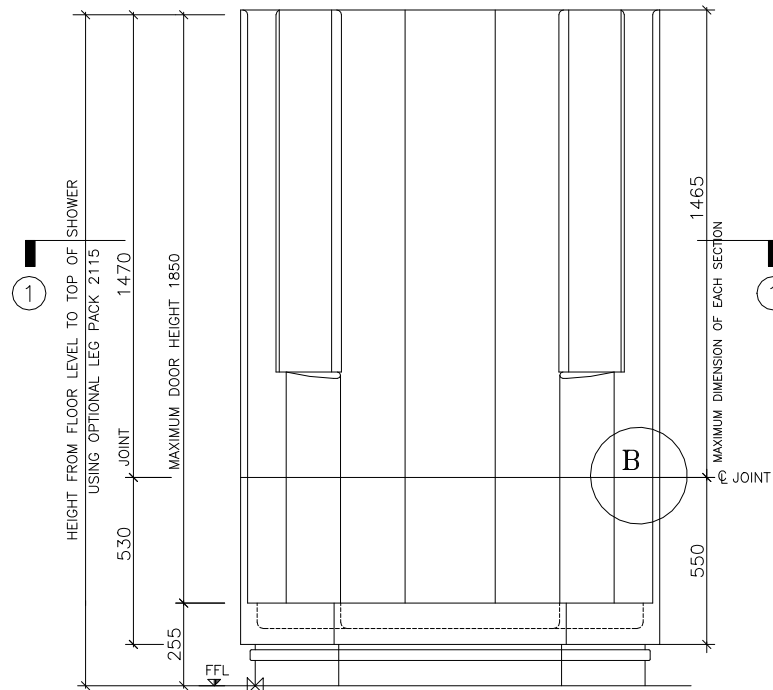
DETAIL B
VERTICAL SECTION THROUGH JOINT



DETAIL C
SECTION THROUGH DOOR FRAME



PLAN 1-1



FRONT ELEVATION

INTERNAL DIMENSIONS

Height 1935mm (6'4¼")

OVERALL EXTERNAL DIMENSIONS

Width 930mm (3'0¾")

Depth 930mm (3'0¾")

Height †

with legs 2115mm (6'11½")

without legs 2000mm (6'6¾")

Approximate Weight 48 Kg

†An additional 30mm is required for assembly

All dimensions shown are approximate and may vary slightly due to the manufacturing process

Allow normal building tolerances

Site conditions may vary. This drawing shows typical fixing details.

Advanced Showers has a programme of continuous development and research and reserves the right to change specifications and details without notice

900W



U.K. patent No. 2281033
European Patent No. 0639345
This drawing is copyright to Advanced Showers International Ltd. And must not be copied or reproduced without prior permission.

ADVANCED SHOWERS INTERNATIONAL LTD
UNIT 2 ALPHA BUSINESS PARK
DEEDMORE ROAD
COVENTRY CV2 1EQ

Email: sales@advanced-showers.com
Web Site: www.advanced-showers.com
Telephone: 01483 532020
Facsimile: 01483 532080

MOULDED TWO PART PENTAGON CUBICLE WITH OPEN TOP SUITABLE FOR A CURTAIN RAIL OR SIDE SCREENS AND DOOR

TECHNICAL DRAWING

SCALE: NOT TO SCALE