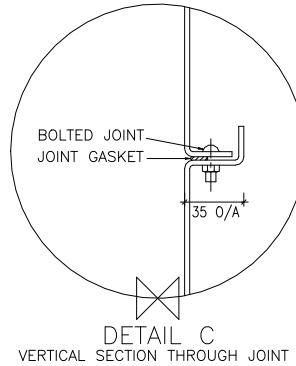
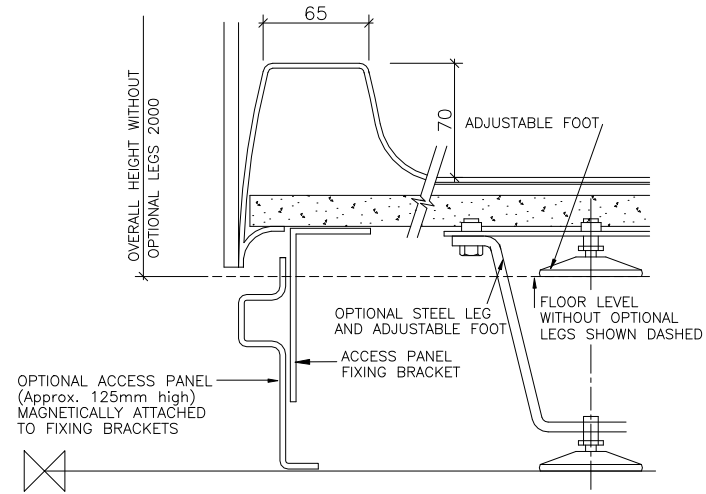


DETAIL A

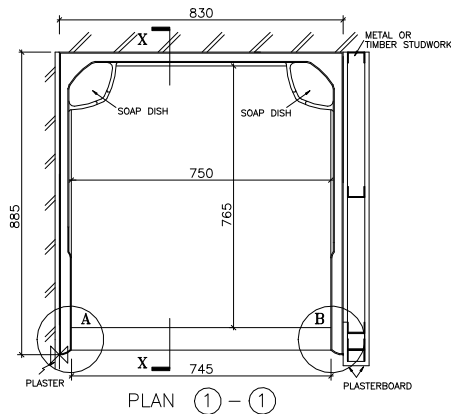
DETAIL B
N.T.S.



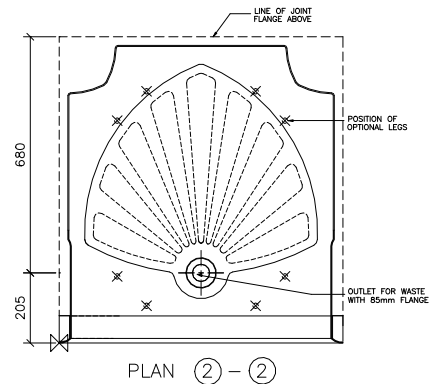
DETAIL C
VERTICAL SECTION THROUGH JOINT



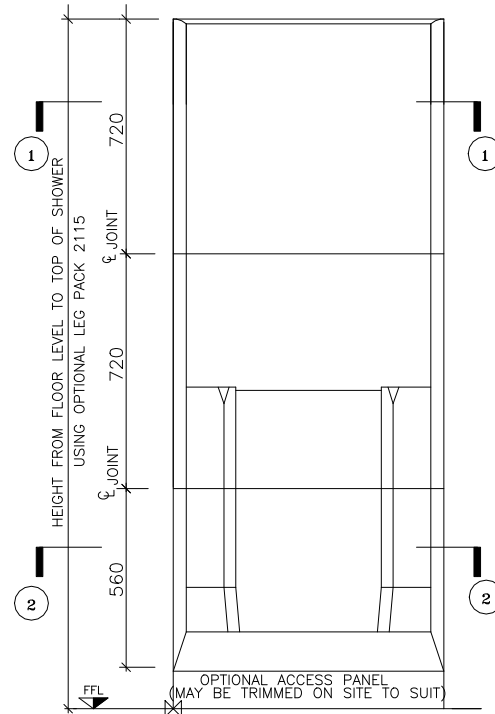
DETAIL E
SECTION THROUGH THRESHOLD & ACCESS PANEL



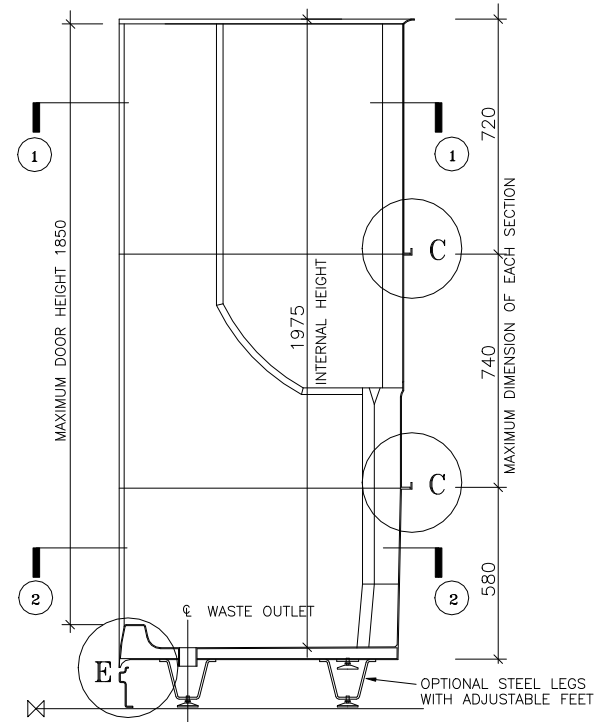
PLAN 1 - 1



PLAN 2 - 2



FRONT ELEVATION



SECTION XX

INTERNAL DIMENSIONS

Width 750mm (2'5½")
Depth 765mm (2'6")
Height 1975mm (6'6")

OVERALL EXTERNAL DIMENSIONS

Width 830mm (2'8½")
Depth 885mm (2'10¾")
Height†
with legs 2115mm (6'11¼")
without legs 2000mm (6'6¾")

Approximate Weight 55 Kg

†An additional 30mm is required for assembly

All dimensions shown are approximate and may vary slightly due to the manufacturing process

Allow normal building tolerances

Site conditions may vary. This drawing shows typical fixing details.

Advanced Showers has a programme of continuous development and research and reserves the right to change specifications and details without notice

750DXT



U.K. patent No. 2281033
European Patent No. 0639345
This drawing is copyright to Advanced Showers International Ltd. And must not be copied or reproduced without prior permission.

ADVANCED SHOWERS INTERNATIONAL LTD
UNIT 2 ALPHA BUSINESS PARK
DEEDMORE ROAD
COVENTRY CV2 1EQ

Email: sales@advanced-showers.com
Web Site: www.advanced-showers.com
Telephone: 01483 532020
Facsimile: 01483 532080

MOULDED STARDARD THREE PART SHOWER CUBICLE WITH OPEN TOP TO SUIT DOOR

TECHNICAL DRAWING

SCALE: NOT TO SCALE