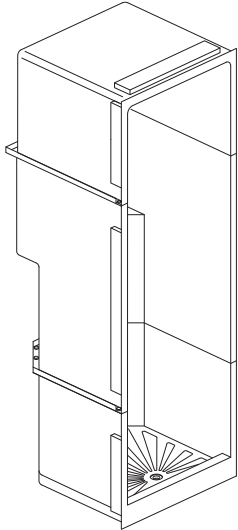


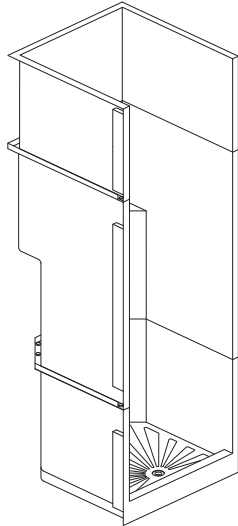


Installation Instructions for:

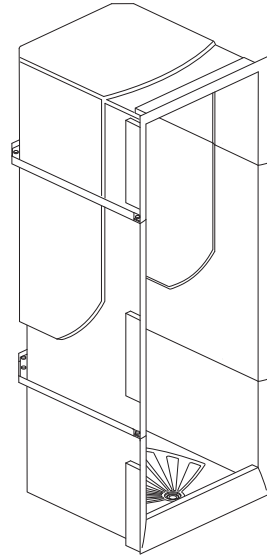
650DX, 650DXT, 750DX, 750DXT, 900DX & 900DXT SHOWER CABINETS



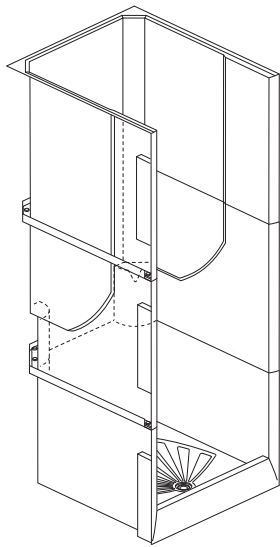
650DX



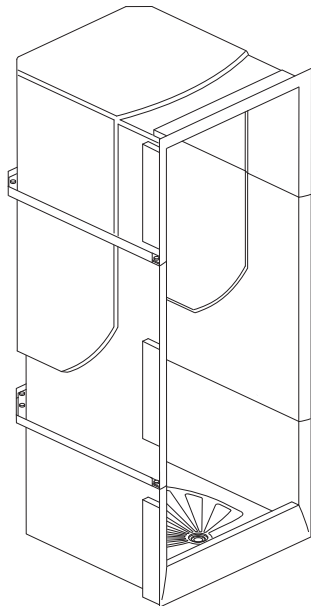
650DXT *



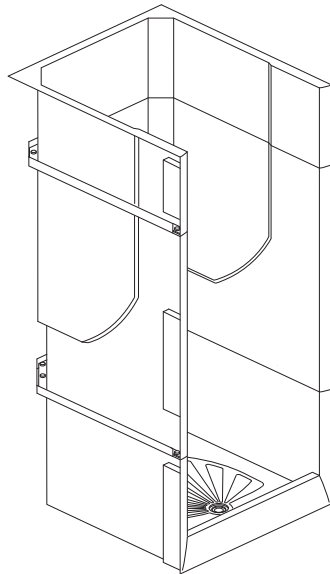
750DX



750DXT



900DX *



900DXT *

* Also available as Plus models: 150mm taller.

IMPORTANT: Please read these instructions fully before commencing installation.

It is recommended that plumbing and electrical installations be carried out by appropriately qualified personnel.

The assembly and installation of this shower cabinet should be carried out in accordance with current Building Regulations, Water Authority requirements and current IEE wiring regulations concerning earthing in shower and bathroom environments.

The shower should be installed on a firm level floor.

Before Installation

INSPECTION: Before installation, remove the packaging (keep to protect your floor and shower cabinet), carefully inspect the shower cabinet and check that all components have been supplied. If any component is damaged or missing (particularly the foam gasket on the base and middle sections) please notify the supplier and do not install the shower cabinet.

WASTE, WATER AND POWER SUPPLIES: The final connection of the hot and cold water supplies (cold for electric showers), and electricity supply (electric showers only) is normally made after the shower cabinet is fixed to the wall.

The final connections to water and electricity supplies should therefore be positioned so they can be reached through the access panel at the bottom of the shower cabinet, through a wall behind the shower cabinet, or above the top of the shower cabinet.

The waste should be positioned so that it can be connected to the trap through the bottom access panel, after the shower cabinet has been fixed to the wall.

Safety and Advice

To avoid personal injury you are advised to wear protective goggles during installation and gloves when handling the shower cabinet.

Check for hidden pipes and cables in the wall where you intend to drill.

When marking on the gloss surfaces of the cabinet use a Chinagraph marker or similar. Do not use spirit based markers. Alternatively, protect the surface with masking tape, which can be drawn on with a pencil.

Take care to protect the finished surface of the shower cabinet during installation. Packaging should be reused to protect the shower both during and after installation as necessary.

Nothing contained in these instructions affect any statutory or other rights of consumer purchasers.

The manufacturer accepts no liability for damage to the shower cabinet or consequential loss resulting from failure to follow these instructions.

Cleaning

Use only liquid non-abrasive cleaners.

Do not use bleach or bleach based products.

Lime scale deposits may be removed using non bleach based domestic descaler (Lime Lite or similar) on a damp cloth.

Frequently check the waste outlet to ensure there are no blockages or build up of hair.

Components

80mm Screw		20mm Bolt	Nut
650DX, 650DXT	10	24	24
750DX, 750DXT	10	24	24
900DX, 900DXT	10	24	24

(Please note that the illustrations in these instructions relate to the 750DXT)

Top and middle sections are delivered partially bolted together using four bolts (factory fitted)

Tools required

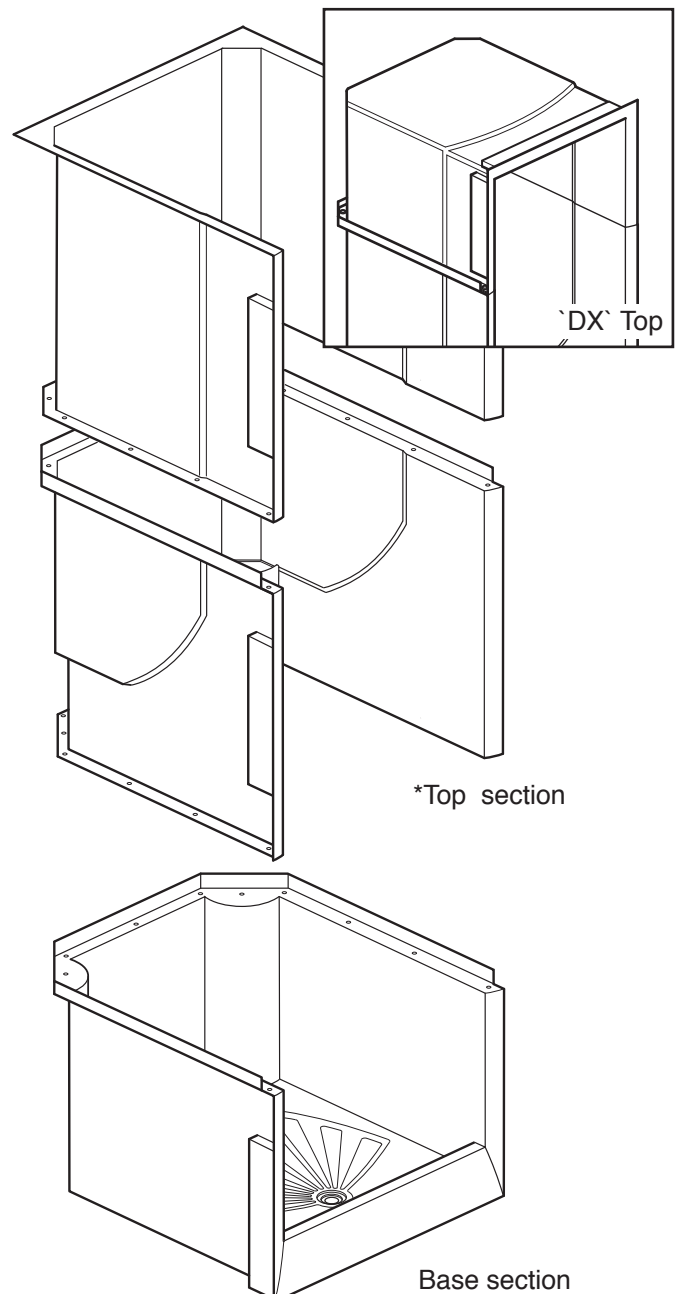
- Basic tool kit
- Electric drill
- Wood drill bits
- Masonry drill bit
- Countersink bit
- Screwdrivers: posidrive no. 2+3
- Spanners: 10mm + 17mm
- Silicone mastic/gun
- Wall plugs etc. for fixing to wall
- Fine tooth saw/jigsaw (if required)
- Cavity toggles or plywood back plate (if required)
- Tank hole cutter
- Spirit level

Additional components required

- Shower valve or electric shower
- Fixed or adjustable shower head
- Shower door
- Shower trap with 85mm diameter waste flange
(McAlpine trap STW11-R or STW6-R)

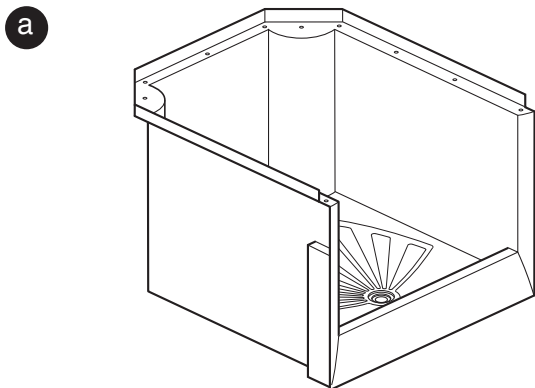
Optional components

- Steel leg pack
- Access panel pack



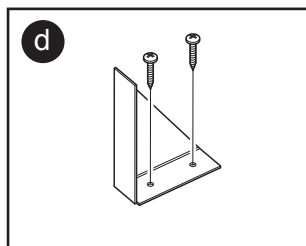
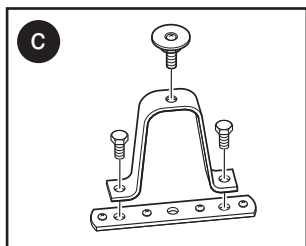
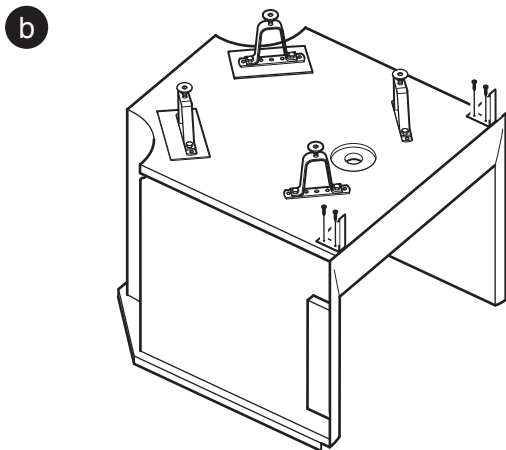
1. Optional-Fitting legs to base section

If you are installing the shower cabinet directly onto the floor use the base as delivered (a) and go straight to step 2.



If you are installing the shower cabinet raised off the floor using the optional leg pack, follow the instructions below (also see the instructions included with leg pack, which may differ from these instructions).

Turn the base section over onto its top (b) onto a soft clean surface. (Base shown after legs fitted).



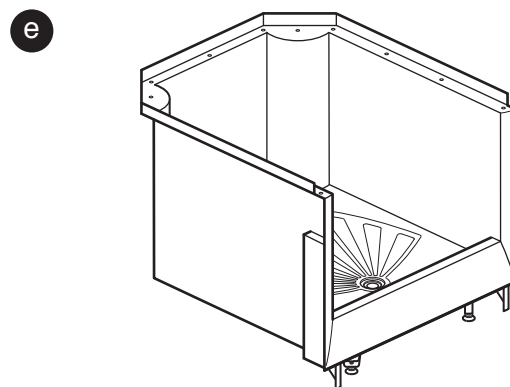
Unscrew the adjustable feet and bolts (17mm spanner) from all of the leg fixing plates and keep for re-use.

Fix the leg brackets firmly to the fixing plates with the bolts and screw the adjustable feet into the bottom of each leg (c).

Fix the access panel brackets to the pre-drilled pilot holes in the baseboard where shown using the 25mm screws provided (d).

1. Continued

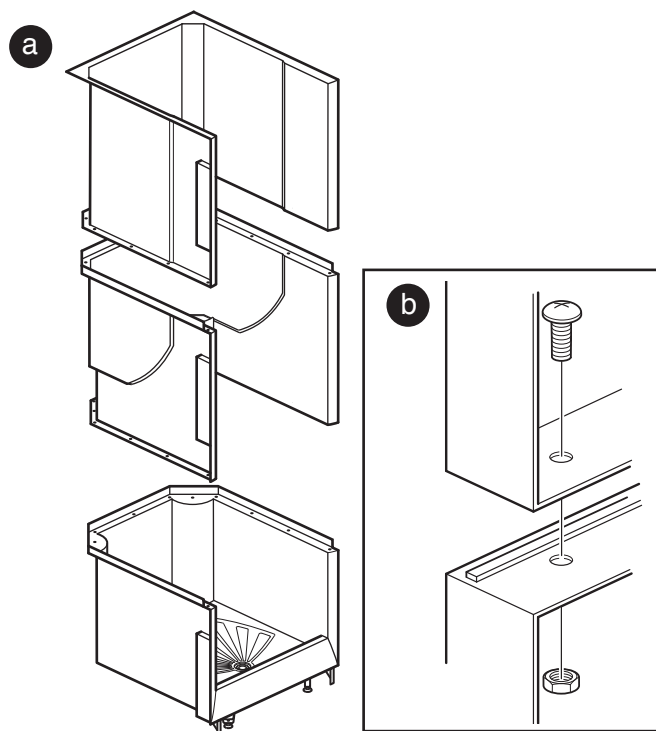
Carefully turn the base section back over onto its legs (e).



2. Fitting sections together

Carefully place the base section of the shower near to its final position.

Approximately level the base section using the adjustable feet before adding further sections on top. This will make the final levelling process easier.



Carefully lower the middle section onto the base (best done by two people) (a).

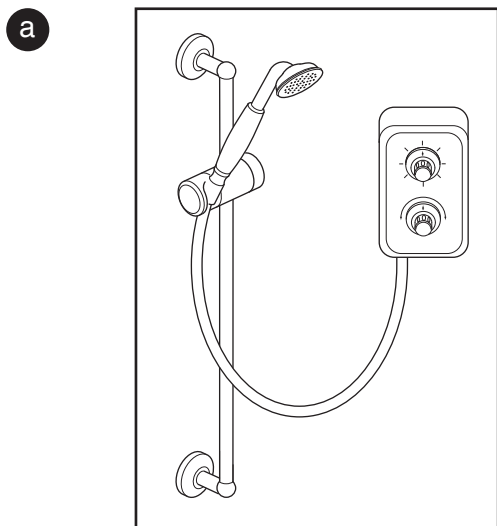
Line up fixing holes on base and middle sections and fix together using the 20mm bolts and nuts (b).

Now repeat for the top section.

Apply a bead of silicone sealant on the fixing hole side of the foam gasket on the base and middle sections when the installation is to be permanent.

3. Fitting shower valve and shower head

Decide on the positions for the shower valve and head. These can be located on the side walls, back wall or top of the shower cabinet on any flat surface. The fixing holes for these items must be a minimum of 25mm away from any joints or corners.



Working from inside the shower cabinet, drill holes for the shower fittings using a slow speed wood bit, fine tooth hole saw or fine tooth jigsaw (when drilling use masking tape on the shower cabinet surface to prevent the drill bit skidding).

Wipe all raw edges of the cuts with silicone mastic.

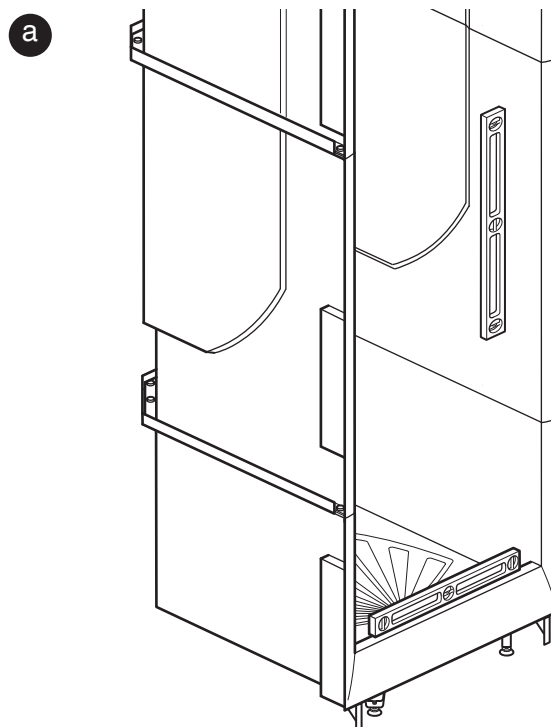
Install the shower valve and head. Plumb in and leave the connections to hot and/or cold feeds accessible for final connection after the shower is fixed to the wall.

Fittings not supplied with a clamp or back plate should be screwed through the wall of the shower cabinet into a plywood back plate (not supplied). Alternatively use proprietary cavity toggles.

Prepare the waste plumbing ready for connection in step 6.

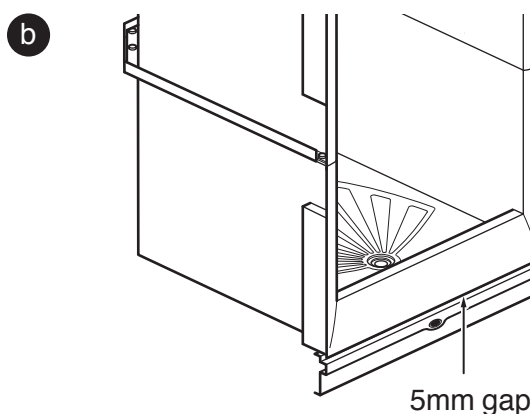
4. Positioning and levelling the cabinet

Carefully manoeuvre the shower cabinet into the final position (do not drag the cabinet) and make level using the adjustable feet. The threshold must be horizontal and the shower walls vertical (a) so the water can flow freely out through the waste outlet (the inside base of the shower tray has a built-in slope towards the waste outlet).

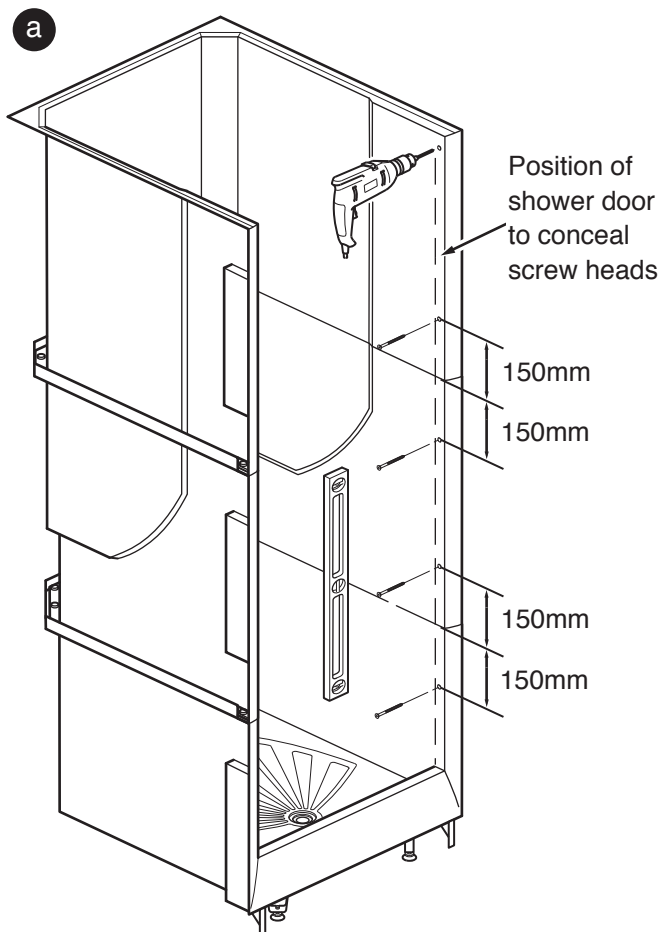


If the shower cabinet is not raised on legs there should be a gap of 3 or 4 mm between the bottom front edge and the floor. This gap may be sealed with mastic.

If using the optional access panel, check that it will slide easily into position below the shower cabinet (b). The gap between the top of the access panel and lower edge of the shower cabinet should be about 5mm (the feet may need to be adjusted). The access panel may need to be trimmed before final fitting (see step 7).



5. Fixing cabinet to the wall



The shower cabinet is fixed to the wall through the vertical front edges of the shower using five 80mm screws on each side (a). The screws should be positioned so that they will be hidden by the frame of the shower door (when fitted) and are flush with the surface (countersunk). Also check that the screws will not clash with the door channel fixing holes.

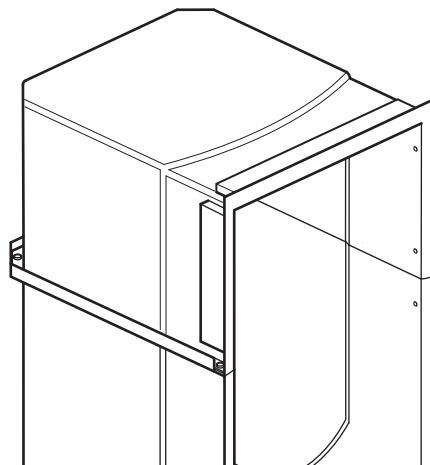
The sides must be perfectly vertical. Packing behind the sides may be necessary if the walls are uneven.

Drill (5mm bit) and countersink the shower cabinet using a slow speed wood bit (use masking tape on the cabinet surface to prevent the drill bits skidding). Wipe all raw edges of the cuts with silicone mastic.

5. Continued

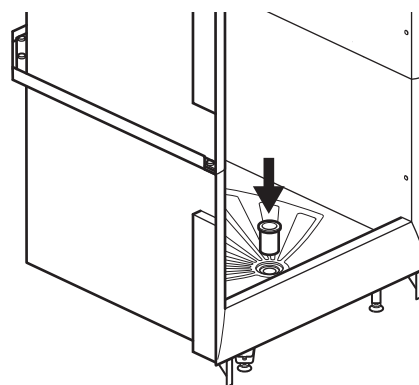
Mark through the fixing holes onto the wall, drill and plug the wall using a suitable drill bit and wall plugs.

Run a bead of mastic along the vertical joint between the cabinet and the wall.



With all models with tops construct a bulkhead at the top of the shower cabinet. There is a chipboard strip pre-bonded to the front edge at the top of the cabinet to help with the fixing of the bulkhead framework. Apply a bead of silicone mastic along the horizontal top edge of the cabinet and the bulkhead or ceiling.

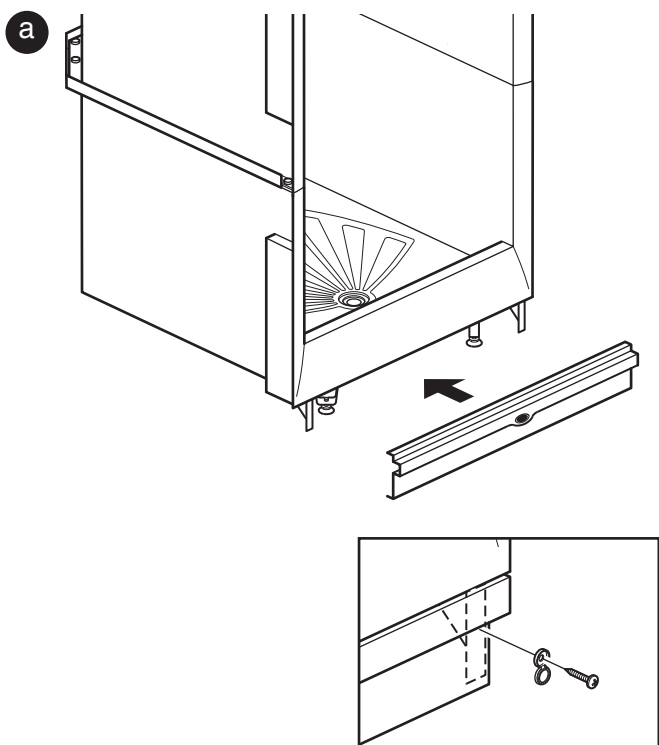
6. Fitting the shower trap



Install the trap following the manufacturer's instructions. The waste should be bedded and pointed in silicone mastic.

Complete the plumbing installation and test.

7. Fitting optional access panel



Slide the access panel into place under the shower cabinet. If necessary cut the access panel to length by trimming an equal amount from each end using a fine toothed saw (a).

Using a 3mm HSS drill bit, drill a pilot hole through the access panel into each fixing bracket. Place a screw cover cap over each self tapping 19mm screw and fix the access panel to both brackets with the 2 screws (a detail).

8. Installing a door

Install the door following the manufacturer's instructions.

Take special care to only apply silicone mastic as directed in the instructions.



ADVANCED SHOWERS INTERNATIONAL LIMITED

Unit 2, Alpha Business Pk, Deedmore Rd, Coventry CV2 1EQ

Tel: 01483 532020 Fax: 01483 532080

Email: sales@advanced-showers.com