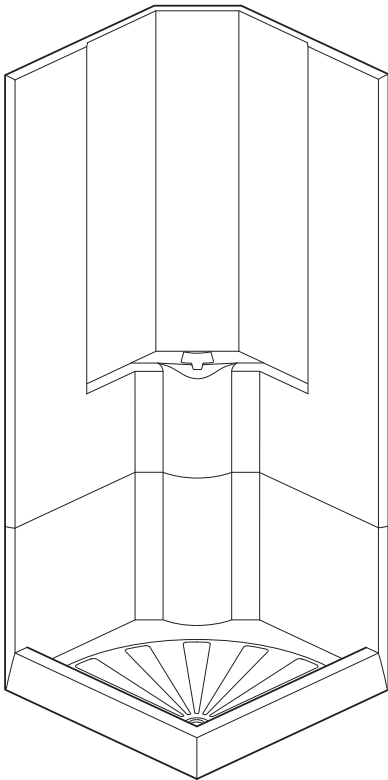


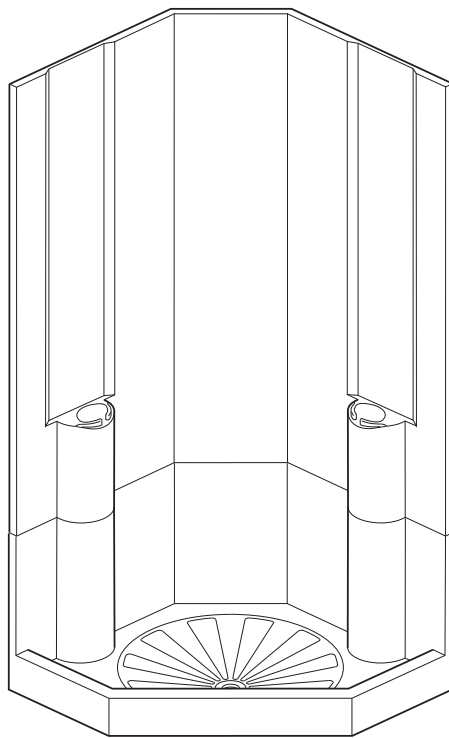


Installation Instructions for:

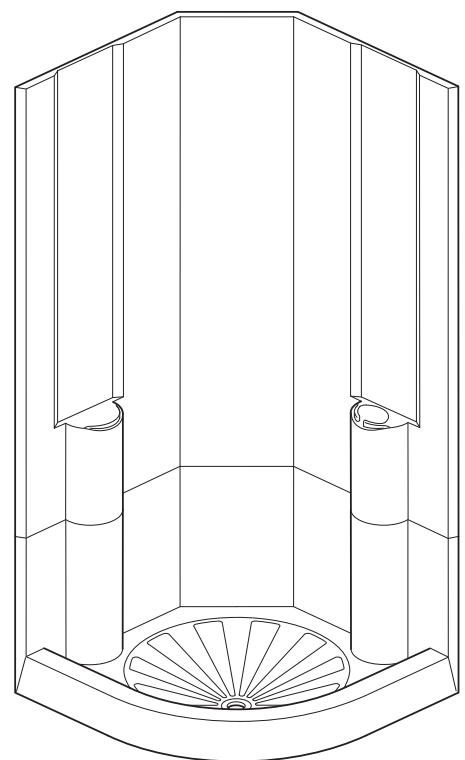
800W, 900W, & 900Q SHOWER CABINETS



800W*



900W



900Q*

* Also available as Plus models: 150mm taller.

IMPORTANT: Please read these instructions fully before commencing installation.

It is recommended that plumbing and electrical installations be carried out by appropriately qualified personnel.

The assembly and installation of this shower cabinet should be carried out in accordance with current Building Regulations, Water Authority requirements and current IEE wiring regulations concerning earthing in shower and bathroom environments.

The shower should be installed on a firm level floor.

Before Installation

INSPECTION: Before installation, remove the packaging (keep to protect your floor and shower cabinet), carefully inspect the shower cabinet and check that all components have been supplied. If damaged or if components are missing notify the supplier immediately, Do not install the shower cabinet.

WASTE, WATER AND POWER SUPPLIES: The final connection of the hot and cold water supplies (cold for electric showers), and electricity supply (electric showers only) is normally made after the shower cabinet is fixed to the wall.

The final connections to water and electricity supplies should therefore be positioned so they can be reached through the access panel at the bottom of the shower cabinet, through a wall behind the shower cabinet, or above the top of the shower cabinet.

The waste should be positioned so that it can be connected to the trap through the bottom access panel, after the shower cabinet has been fixed to the wall.

Safety and Advice

To avoid personal injury you are advised to wear protective goggles during installation and gloves when handling the shower cabinet.

Check for hidden pipes and cables in the wall where you intend to drill.

When marking on the gloss surfaces of the cabinet use a Chinagraph marker or similar. Do not use spirit based markers. Alternatively, protect the surface with masking tape, which can be drawn on with a pencil.

Take care to protect the finished surface of the shower cabinet during installation. Packaging should be reused to protect the shower both during and after installation as necessary.

Nothing contained in these instructions affect any statutory or other rights of consumer purchasers.

The manufacturer accepts no liability for damage to the shower cabinet or consequential loss resulting from failure to follow these instructions.

Cleaning

Use only liquid non-abrasive cleaners.

Do not use bleach or bleach based products.

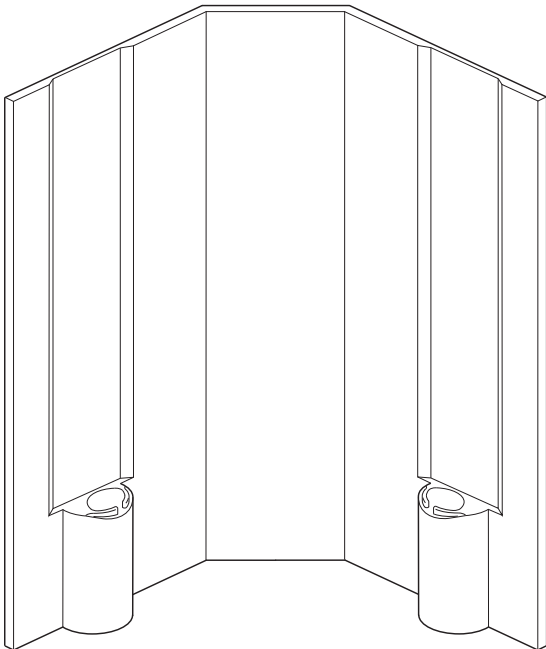
Lime scale deposits may be removed using non bleach based domestic descaler (Lime Lite or similar) on a damp cloth.

Frequently check the waste outlet to ensure there are no blockages or build up of hair.

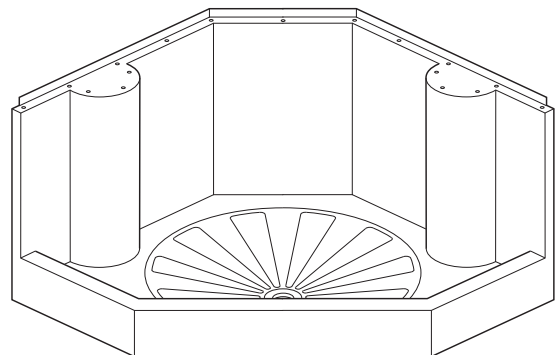
Components

80mm Screw		20mm Bolt	Nut
800W	10	11	11
900W	10	13	13
900Q	10	13	13

(Please note that the illustrations in these instructions relate to the 900W model)



Top



Base

Additional components required

Shower valve or electric shower
 Fixed or adjustable shower head
 Shower door/side panels or shower rail and curtain
 Shower trap with 85mm diameter waste flange
 (McAlpine trap STWII-R 85mm flange recommended)

Optional components

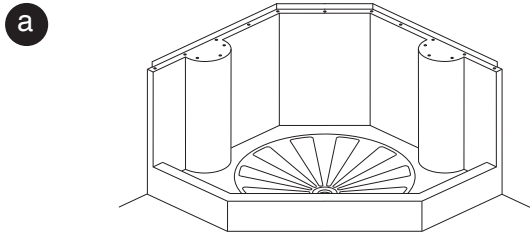
Steel leg pack
 Access panel pack

Tools required

Basic tool kit
 Electric drill
 Wood drill bits
 Masonry drill bit
 Countersink bit
 Screwdrivers: posidrive no. 2+3
 Spanners: 10mm + 17mm
 Silicone mastic/gun
 Wall plugs etc. for fixing to wall
 Fine tooth saw/jigsaw (if required)
 Cavity toggles or plywood back plate (if required)
 Tank hole cutter
 Spirit level

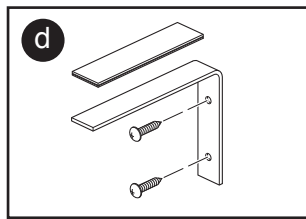
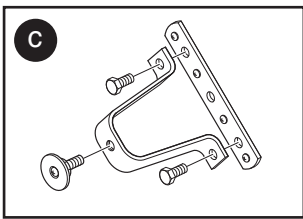
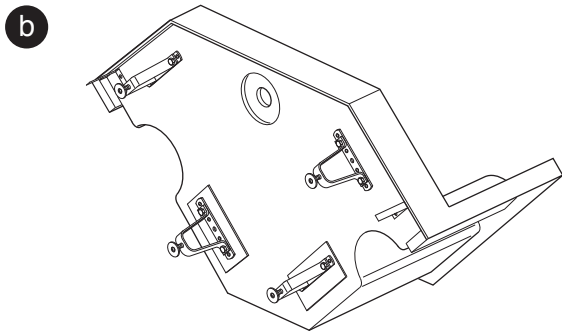
1. Optional-Fitting legs to base section

If you are installing the shower cabinet directly onto the floor use the base as delivered (a) and go straight to step 2.



If you are installing the shower cabinet raised off the floor using the optional leg pack, follow the instructions below (also see the instructions included with leg pack).

Turn the base section over onto its back (b) onto a soft clean surface. (Base shown after legs fitted).

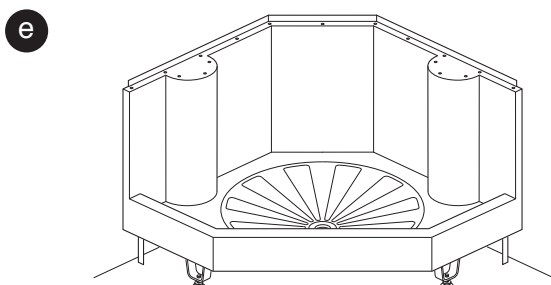


Unscrew the adjustable feet and bolts (17mm spanner) from all of the leg fixing plates and keep for re-use.

Fix the leg brackets firmly to the fixing plates with the bolts and screw the adjustable feet into the bottom of each leg (c).

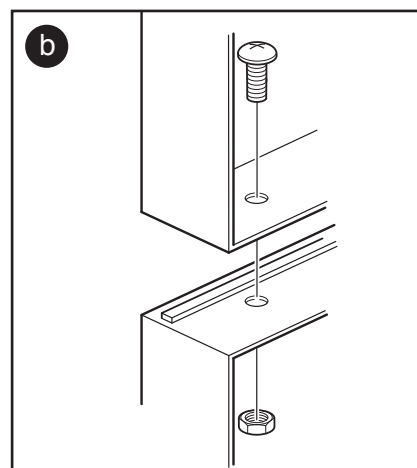
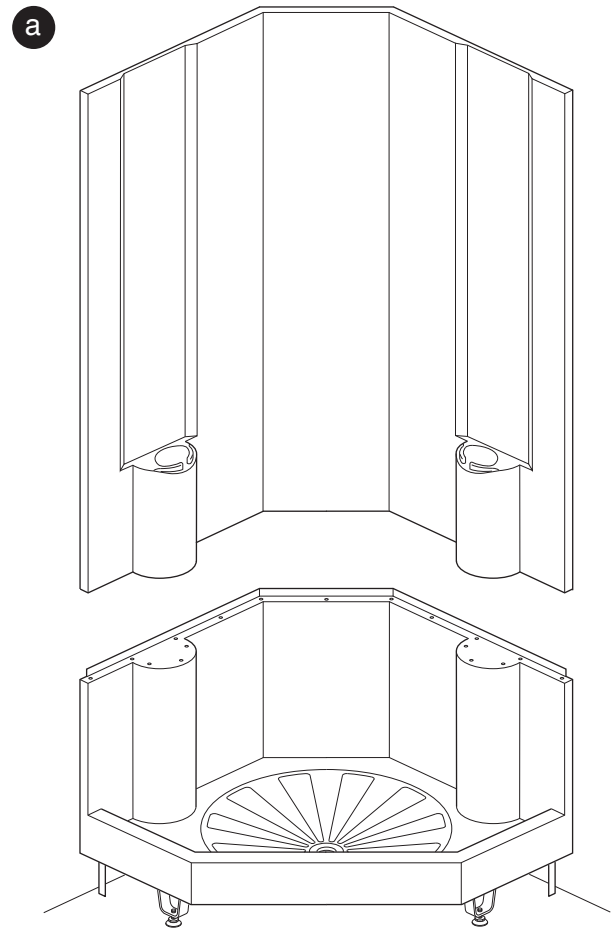
Fix the access panel brackets to the pre-drilled pilot holes in the baseboard where shown using the 25mm screws provided. Place a magnetic strip onto both of the access panel brackets (d).

Carefully turn the base section back over onto its legs (e).



2. Fitting sections together

Carefully place the base section of the shower cabinet near to its final position. Approximately level the base section using the adjustable feet before adding the top section. This will make the final levelling process easier.

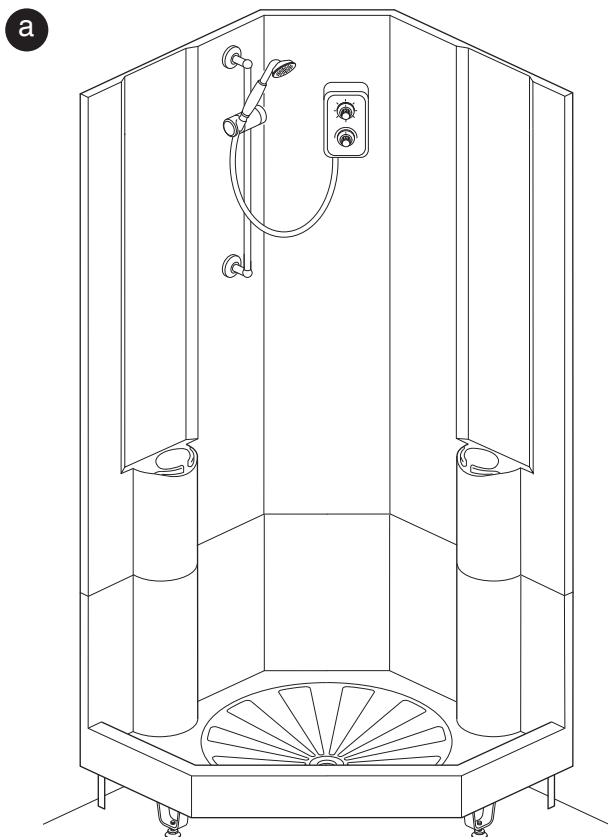


Carefully lower the top section onto the base (best done by two people).

Line up the fixing holes on both sections and fix firmly together using the 20mm bolts and nuts provided (b).

3. Fitting shower valve and shower head

Decide on the positions for the shower valve and head. These can be located on the side walls, back wall or top of the shower cabinet on any flat surface. The fixing holes for these items must be a minimum of 25mm away from any joints or corners.



Working from inside the shower cabinet, drill holes for the shower fittings using a slow speed wood bit, fine tooth hole saw or fine tooth jigsaw (when drilling use masking tape on the shower cabinet surface to prevent the drill bit skidding).

Wipe all raw edges of the cuts with silicone mastic.

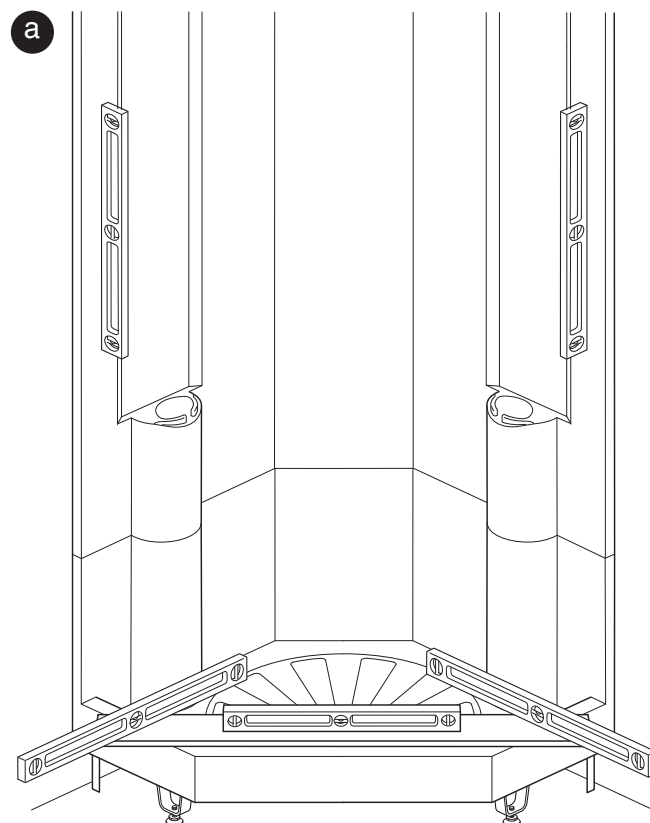
Install the shower valve and head. Plumb in and leave the connections to hot and/or cold feeds accessible for final connection after the shower is fixed to the wall.

Fittings not supplied with a clamp or back plate should be screwed through the wall of the shower cabinet into a plywood back plate (not supplied). Alternatively use proprietary cavity toggles.

Prepare the waste plumbing ready for connection in step 6.

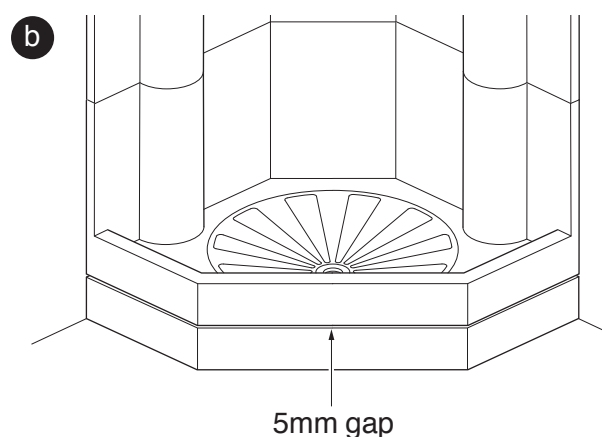
4. Positioning and levelling the cabinet

Carefully manoeuvre the cabinet into the final position (do not drag the cabinet) and level using the adjustable feet. The threshold must be horizontal and the shower walls vertical (**a**) so the water can flow freely out through the waste outlet (the inside base of the shower tray has a built-in slope towards the waste outlet).

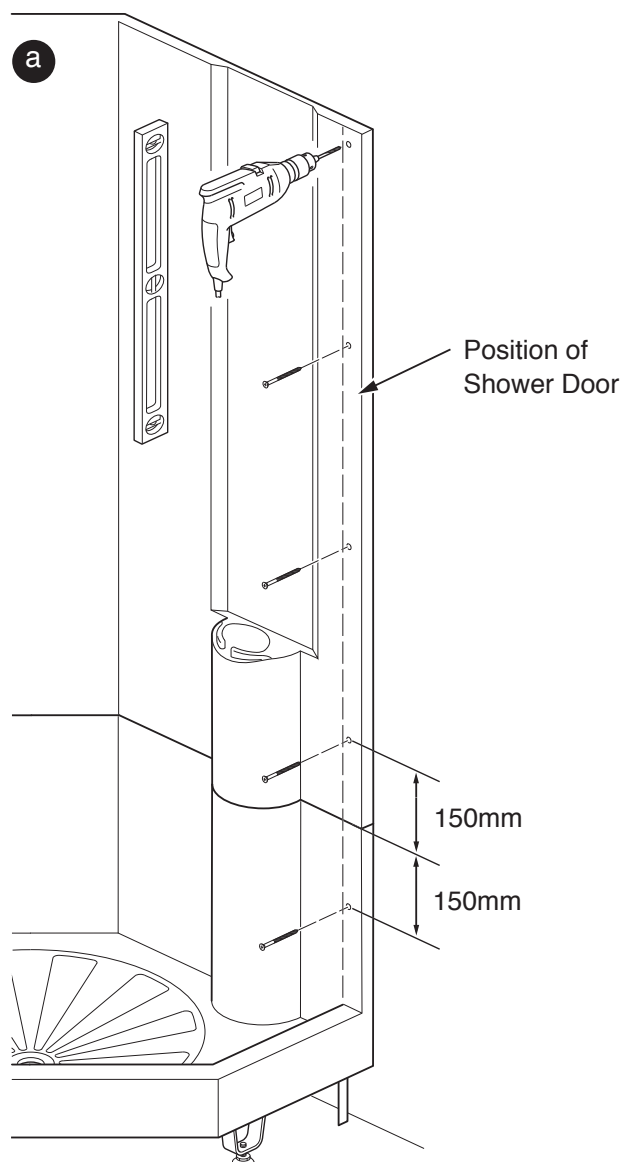


If the shower cabinet is not raised on legs there should be a gap of 3 or 4 mm between the bottom front edge and the floor. This gap may be sealed with mastic.

If using the optional access panel check that it will slide easily into position below the shower cabinet (**b**). The gap between the top of the access panel and lower edge of the cabinet should be about 5mm (the feet may need to be adjusted). Both ends of the access panel may need to be trimmed before final fitting (see step 7).



5. Fixing cabinet to the wall



The shower cabinet is fixed to the wall through the vertical front edges of the cabinet using five 80mm screws on each side, one in base, four in top section (a). The screws should be positioned so that they will be hidden by the frame of the shower door (when fitted) and are flush with the surface (countersunk). Offer up the door and sidescreen to check this position. Also check that the screws will not clash with the door channel fixing holes.

The sides must be perfectly vertical. Packing behind the sides may be necessary if the walls are uneven.

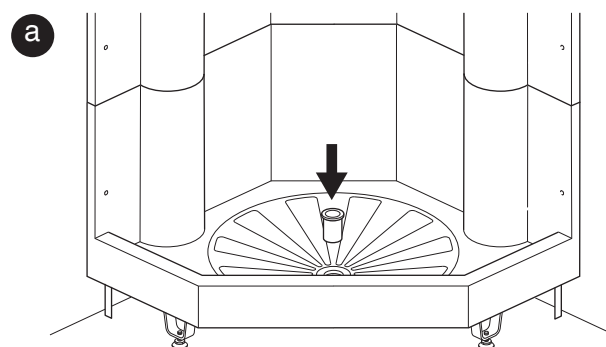
Drill (5mm bit) and countersink the shower cabinet using a slow speed wood bit (use masking tape on the cabinet surface to prevent the drill bit skidding). Wipe all raw edges of the cuts with silicone mastic.

Mark through the fixing holes onto the wall, drill and plug the wall using a suitable drill bit and wall plugs (for drill bit and wall type fixing advice go to:

www.userview.co.uk/fixings

Apply a bead of silicone mastic along the vertical joint between the cabinet and wall.

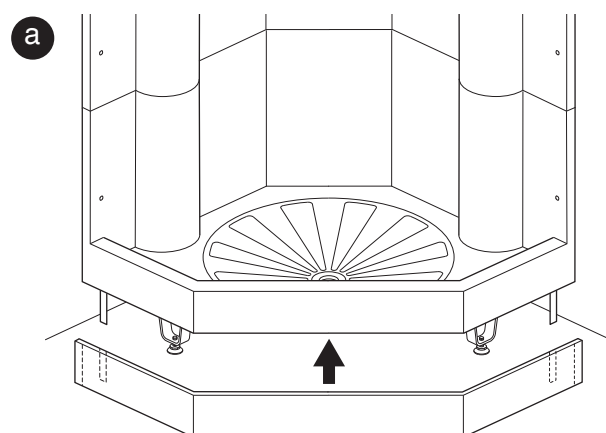
6. Fitting the shower trap



Install the trap following the manufacturer's instructions. The waste should be bedded and pointed in silicone mastic.

Complete the plumbing installation and test.

7. Fitting optional access panel



Slide the access panel into place under the shower cabinet. DO NOT remove the protective paper from the magnetic strip at this stage.

If necessary cut the access panel to length by trimming an equal amount from each end using a fine toothed saw.

Ensure the rear face of the access panel is clean and dust free. Remove the backing paper from the face of the magnetic strips (with strips attached to the access panel brackets) carefully position the access panel onto the adhesive strips. Hold firmly in place for a few seconds to ensure good adhesion.

8. Installing a door/curtain rail

Install the door and side screen(s) or curtain rail following the manufacturers instructions. Take special care to only apply silicone mastic as directed in the instructions.



ADVANCED SHOWERS INTERNATIONAL LIMITED
32 Frederick Sanger Road, Guildford, Surrey, GU2 7YD.
Tel: 01483 295930 Fax: 01483 295935
Email: sales@advanced-showers.com



www.userview.co.uk