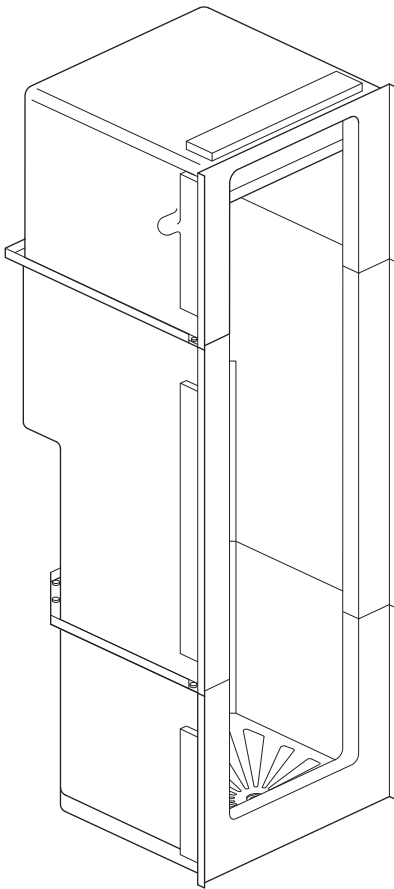


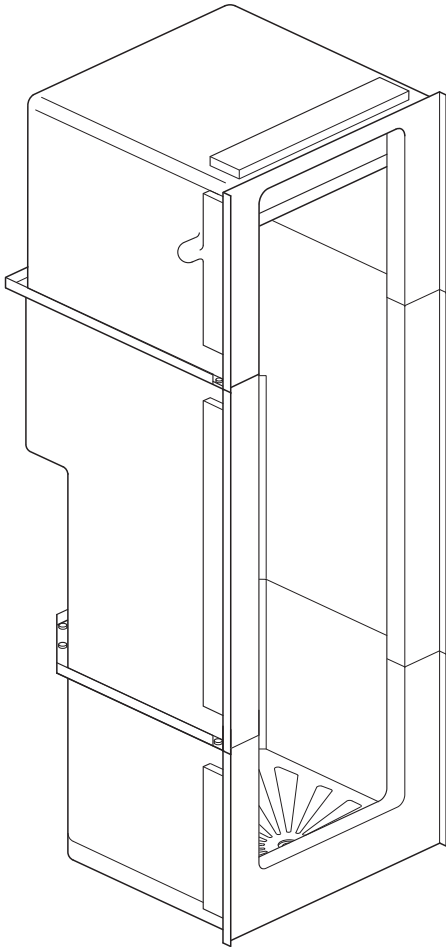


Installation Instructions for:

650C & 750C SHOWER CABINETS



650C



750C

IMPORTANT: Please read these instructions fully before commencing installation.

It is recommended that plumbing and electrical installations be carried out by appropriately qualified personnel.

The assembly and installation of this shower cabinet should be carried out in accordance with current Building Regulations, Water Authority requirements and current IEE wiring regulations concerning earthing in shower and bathroom environments.

The shower should be installed on a firm level floor.

Before Installation

INSPECTION: Before installation, remove the packaging (keep to protect your floor and shower cabinet), carefully inspect the shower cabinet and check that all components have been supplied. If damaged or if components are missing notify the supplier immediately, Do not install the shower cabinet.

WASTE, WATER AND POWER SUPPLIES: The final connection of the hot and cold water supplies (cold for electric showers), and electricity supply (electric showers only) is normally made after the shower cabinet is fixed to the wall.

The final connections to water and electricity supplies should therefore be positioned so they can be reached through the access panel at the bottom of the shower cabinet, through a wall behind the shower cabinet, or above the top of the shower cabinet.

The waste should be positioned so that it can be connected to the trap through the bottom access panel, after the shower cabinet has been fixed to the wall.

Safety and Advice

To avoid personal injury you are advised to wear protective goggles during installation and gloves when handling the shower cabinet.

Check for hidden pipes and cables in the wall where you intend to drill.

When marking on the gloss surfaces of the cabinet use a Chinagraph marker or similar. Do not use spirit based markers. Alternatively, protect the surface with masking tape, which can be drawn on with a pencil.

Take care to protect the finished surface of the shower cabinet during installation. Packaging should be reused to protect the shower both during and after installation as necessary.

Nothing contained in these instructions affect any statutory or other rights of consumer purchasers.

The manufacturer accepts no liability for damage to the shower cabinet or consequential loss resulting from failure to follow these instructions.


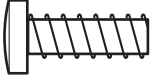

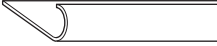
Cleaning

Use only liquid non-abrasive cleaners.

Do not use bleach or bleach based products.

Lime scale deposits may be removed using non bleach based domestic descaler (Lime Lite or similar) on a damp cloth.

Frequently check the waste outlet to ensure there are no blockages or build up of hair.

Components				
				
45mm Screw		20mm Bolt	Nut	'J' section trim
650C	8	26	26	2
750C	8	28	28	2

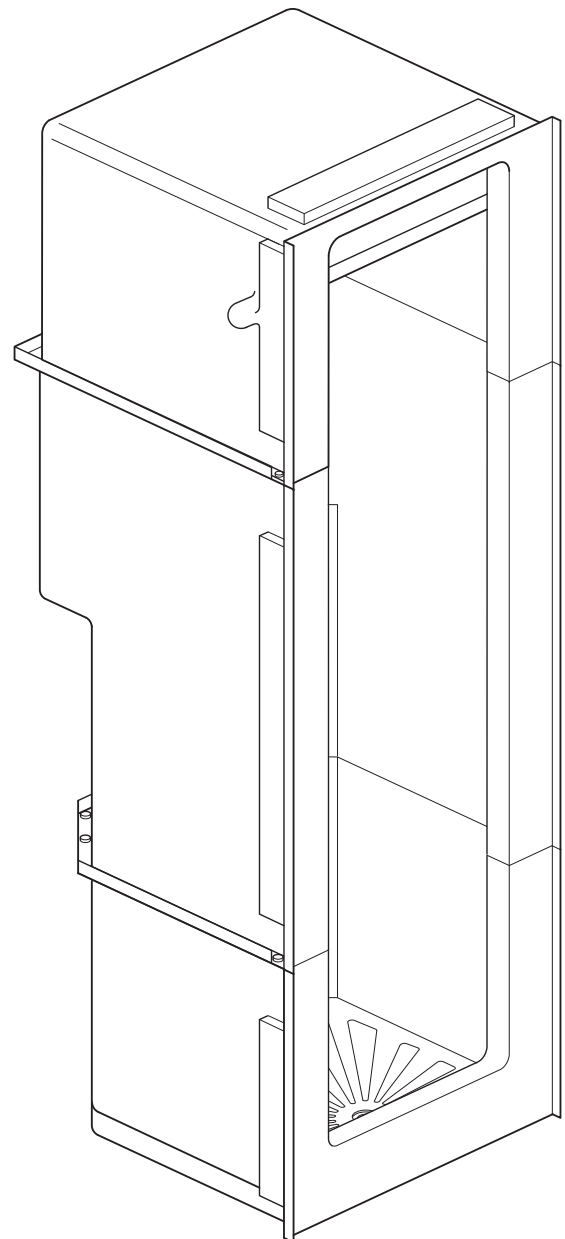
(Please note that the illustrations in these instructions relate to the 650C)

All three sections are delivered partially bolted together together using four bolts (factory fitted)

Tools required
Basic tool kit
Electric drill
Wood drill bits
Masonry drill bit
Countersink bit
Screwdrivers: posidrive no. 2+3
Spanners: 10mm + 17mm
Silicone mastic/gun
Wall plugs etc. for fixing to wall
Fine tooth saw/jigsaw (if required)
Cavity toggles or plywood back plate (if required)
Tank hole cutter
Spirit level

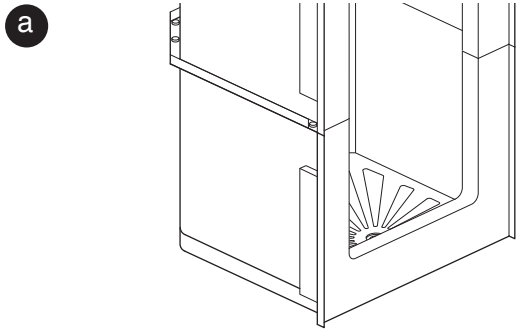
Additional components required
Shower valve or electric shower
Fixed or adjustable shower head
Shower curtain and rings
Shower trap with 85mm diameter waste flange (McAlpine trap STWII-R 85mm flange recommended)

Optional components
Steel leg pack
Access panel pack



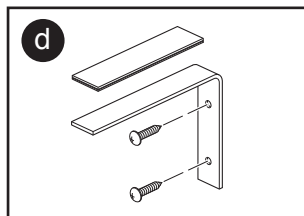
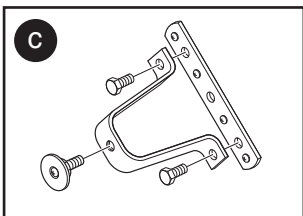
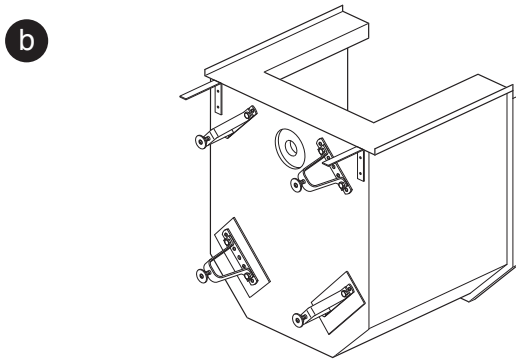
1. Optional-Fitting legs to base section

If you are installing the shower cabinet directly onto the floor use the base as delivered (a) and go to straight step 2.



If you are installing the shower cabinet raised off the floor using the optional leg pack, follow the instructions below (see also instructions included with legs).

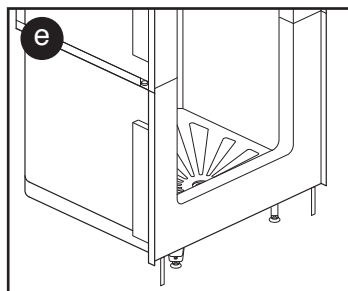
Turn the base section over onto its back (b) onto a soft clean surface. (Base shown after legs fitted) >



Unscrew the adjustable feet and bolts (17mm spanner) from all of the leg fixing plates and keep for re-use.

Fix the leg brackets firmly to the fixing plates with the bolts and screw the adjustable feet into the bottom of each leg (c).

Fix the access panel brackets to the pre-drilled pilot holes in the baseboard using the 25mm screws provided. Place a magnetic strip onto both of the access panel brackets (d).



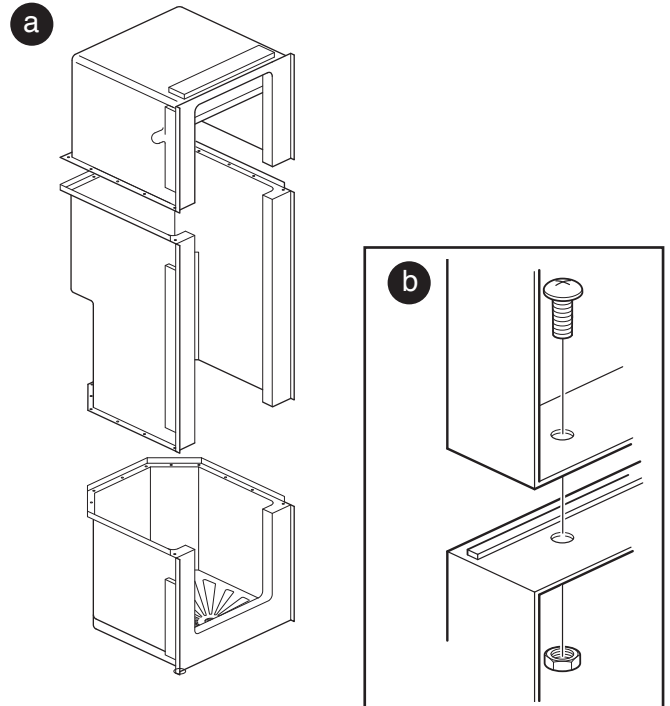
Carefully turn the base section back over onto its legs (e).

2. Fitting sections together

The shower cabinet is delivered with all three sections bolted together. Sections may be dismantled for ease of transportation within the building.

Carefully place the base section of the shower near to its final position.

Approximately level the base section using the adjustable feet before adding further sections on top. This will make the final leveling process easier.



Carefully lower the middle section onto the base (best done by two people)(a).

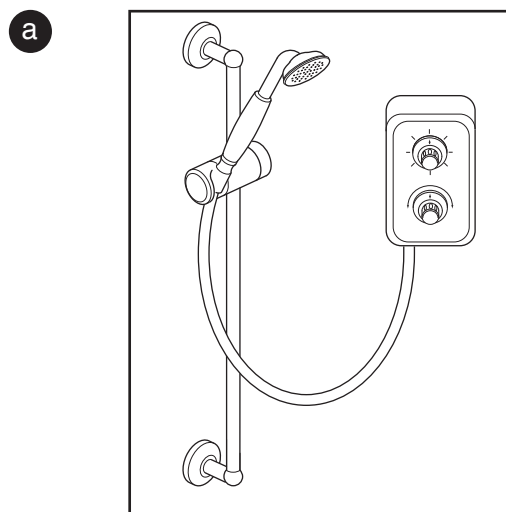
Line up the fixing holes on the base and middle sections and fix firmly together using the 20mm bolts and nuts provided (b).

Repeat for the top section.

Fit all the remaining 20mm bolts, and nuts to fully join the top and middle sections together.

3. Fitting shower valve and shower head

Decide on the positions for the shower valve and head. These can be located on the side walls, back wall or top of the shower cabinet on any flat surface. The fixing holes for these items must be a minimum of 25mm away from any joints or corners.



Working from inside the shower cabinet, drill holes for the shower fittings using a slow speed wood bit, fine tooth hole saw or fine tooth jigsaw (when drilling use masking tape on the shower cabinet surface to prevent the drill bit skidding).

Wipe all raw edges of the cuts with silicone mastic.

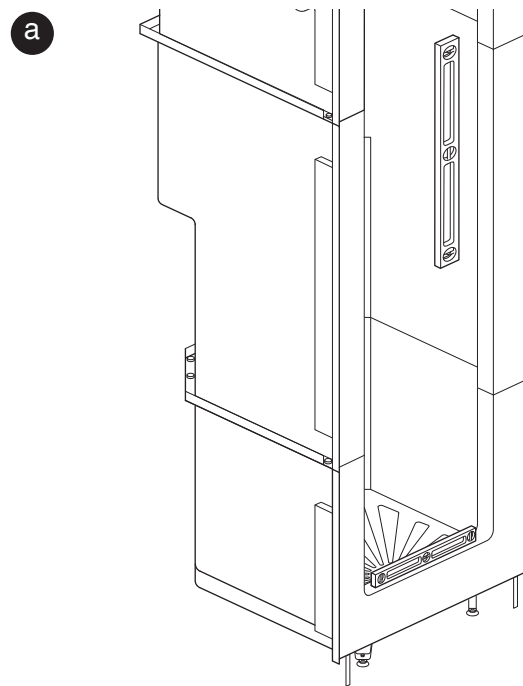
Install the shower valve and head. Plumb in and leave the connections to hot and/or cold feeds accessible for final connection after the shower is fixed to the wall.

Fittings not supplied with a clamp or back plate should be screwed through the wall of the shower cabinet into a plywood back plate (not supplied). Alternatively use proprietary cavity toggles.

Prepare the waste plumbing ready for connection in step 6.

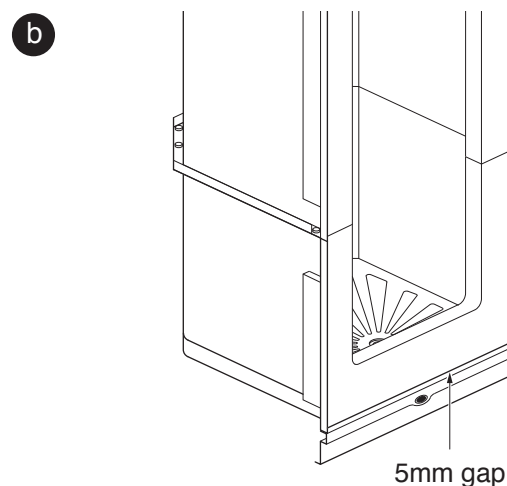
4. Positioning and levelling the cabinet

Carefully manoeuvre the shower cabinet into the final position (do not drag the cabinet) and make level using the adjustable feet. The threshold must be horizontal and the shower cabinet walls vertical (a) so the water can flow freely out through the waste outlet (the inside base of the shower tray has a built-in slope towards the waste outlet).

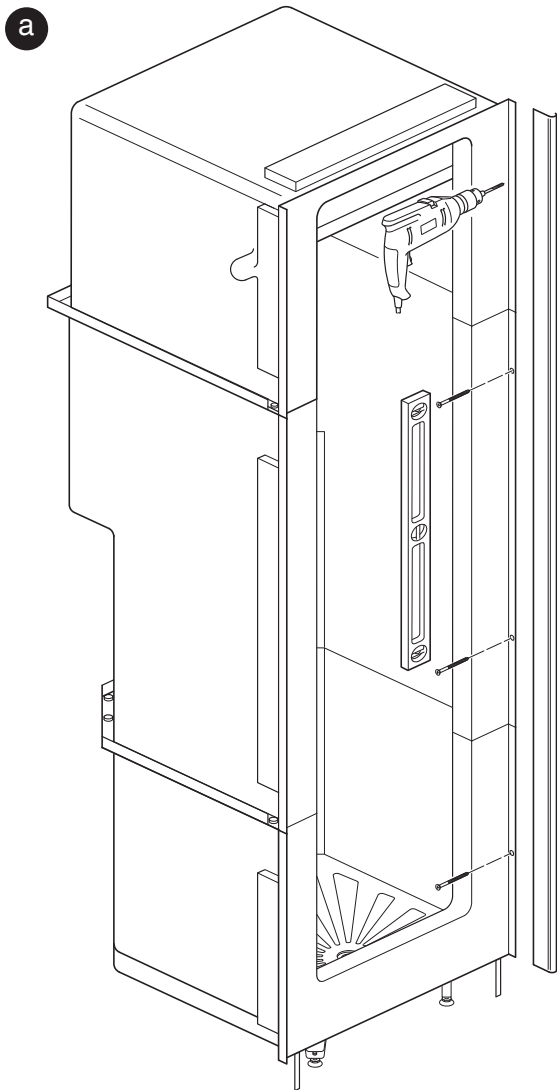


If the shower cabinet is not raised on legs there should be a gap of 3 or 4 mm between the bottom front edge and the floor. This gap may be sealed with mastic.

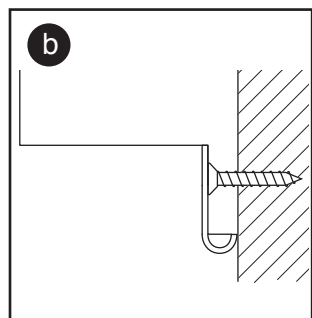
If using the optional access panel check that it will slide easily into position below the shower cabinet (b). The gap between the top of the access panel and lower edge of the shower cabinet should be about 5mm (the feet may need to be adjusted). The access panel may need to be trimmed before final fitting (see step 7).



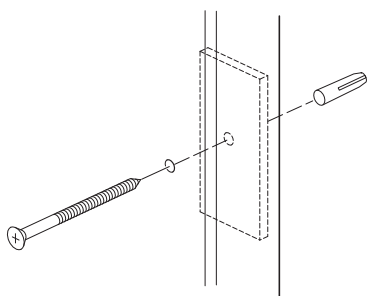
5. Fixing cabinet to the wall



The shower cabinet is fixed to the wall through the vertical front edges of the shower cabinet using four 45mm screws on each side, one in the base, two in the middle section and one in the top section (a).



The sides must be perfectly vertical. Packing behind the sides may be necessary if the walls are uneven.



5. Continued

Drill (5mm bit) and countersink the shower cabinet using a slow speed wood bit (use masking tape on the cabinet surface to prevent the drill bit skidding). Wipe all raw edges of the cuts with silicone mastic.

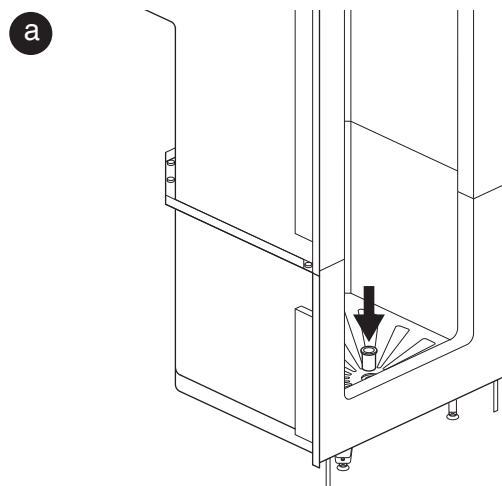
Mark through the fixing holes onto the wall, drill and plug the wall using a suitable drill bit and wall plugs (for drill bit and wall type fixing advice go to www.userview.co.uk/fixings).

Construct a bulkhead at the top of the shower cabinet. There is a chipboard strip pre-bonded to the front edge at the top of the cabinet to help with the fixing of the bulkhead framework. Apply a bead of silicone mastic along the horizontal top edge of the cabinet and the bulkhead or ceiling.

Fix the 'J' section trim over the front fixing flange (where screwed to the wall). First cut the 'J' section trim to length with a fine tooth saw and clean off rough edges.

Apply a bead of mastic to the face of the flanges (all surfaces to be stuck must be thoroughly cleaned) and stick the 'J' section trim in position (b).

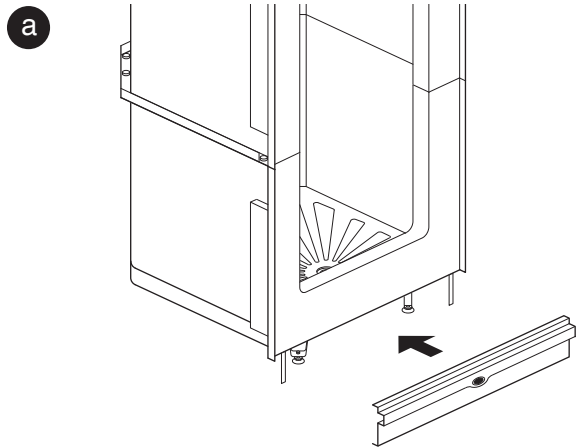
6. Fitting the shower trap



Install the shower trap following the manufacturer's instructions. The waste should be bedded and pointed in silicone mastic.

Complete the plumbing installation and test.

7. Fitting optional access panel



Slide the access panel into place under the shower cabinet. DO NOT remove the protective paper from the magnetic strip at this stage.

If necessary cut the access panel to length by trimming one end using a fine toothed saw.

Ensure the rear face of the access panel is clean and dust free. Remove the backing paper from the face of the magnetic strips (with strips attached to the access panel brackets). Carefully position the access panel onto the adhesive strips. Hold firmly in place for a few seconds to ensure good adhesion.

8. Hanging a shower curtain

Install a curtain following the manufacturer's instructions.



ADVANCED SHOWERS INTERNATIONAL LIMITED
32 Frederick Sanger Road, Guildford, Surrey, GU2 7YD.
Tel: 01483 295930 Fax: 01483 295935
Email: sales@advanced-showers.com



www.userview.co.uk